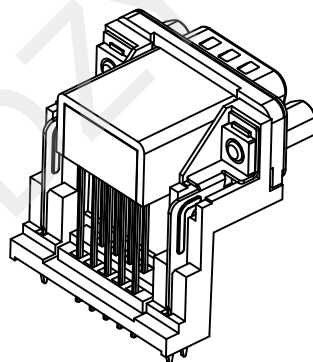


RECOMMENDED P.C.B LAYOUT



SPECIFICATIONS

1. D-SUB
- 1.1 Voltage: 250 VAC(RMS) Max.
- 1.2 Current Rating: 3 Ampere per Contact
- 1.3 Contact Resistance: 25 Milliohms Max.
- 1.4 Insulation Resistance: 5000 Megohms Min.
- 1.5 Dielectric Withstanding Voltage: 1000V AC(RMS)
- 1.6 Total Mating Force: 6.0 Kgf Max.
- 1.7 Total Unmating Force: 1.2 Kgf Min.
- 1.8 Operating Temperature: -55°C to +85°C

NOTES

1. MATERIAL:
 - Housing:PBT, UL 94V-0, Color:322C Green.
 - Bracket:PA66, UL 94V-0, Color:322C Green.
 - Terminal:Copper Alloy.
 - Shell:SPCC.
 - Boardlock:SPCC.
 - Rivet:Copper Alloy.
 - Screw:Steel.
2. FINISH:
 - Terminal:Au G/F Plated over Nickel 50u"Min Plated at Contact Area. Matte Tin 100u"Min Plated over Nickel 50u"Min Plated at Solder Ared.
 - Shell:Nickel 50u" Min Plated.
 - Boardlock:Tin 100u" Min Plated.
 - Rivet:Nickel 50u" Min Plated.
 - Screw:Nickel 50u" Min Plated.
3. This Product is LEAD-FREE & RoHS Compliance Product.



深圳市华宇创精密电子有限公司

TOLERANCE:
X.X ±0.30
X.XX ±0.25
X.XXX ±0.15
X: ±2° X.X° ±0.5°

UNIT: mm [inch]
SCALE:1:1 SIZE: A4

DRAWN BY :
陈一鸣

CHECKED BY:
马跃

APPROVED BY:
邱敏

DATE :
2014-02-23

DATE :
2014-02-23

DATE :
2014-02-23

PART NAME:
DR9公 架高 塑胶支架 竖叉 铆锁

PART NO. HYC258-VGA09A-316

MOLD NO.

DRAW NO: HYC-2606111202

SHEET NO. 1 OF 1